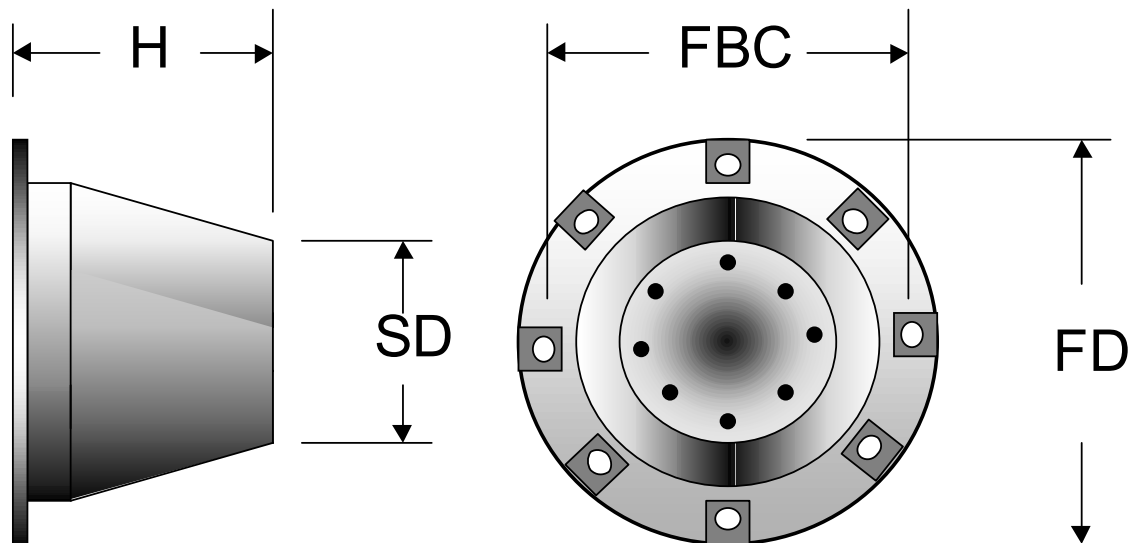


CONE FENDER DIMENSIONS							
Fender	H	FD	SD	FBC	Anchors Dockside	SBC	Panel Bolts
MCE 300	300	500	295	440	4-M20	255	4-M20
MCE 350	350	570	330	510	4-M20	275	4-M20
MCE 400	400	650	390	585	4-M24	340	4-M24
MCE 500	500	800	490	730	4-M24	425	4-M24
MCE 550	550	880	540	790	4-M24	470	4-M24
MCE 600	600	960	590	875	4-M30	515	4-M30
MCE 700	700	1120	685	1020	4-M30	600	4-M30
MCE 800	800	1280	785	1165	6-M30	685	6-M30
MCE 900	900	1440	885	1313	6-M30	770	6-M30
MCE 1000	1000	1600	980	1460	6-M36	855	6-M36
MCE 1050	1050	1680	1030	1530	6-M36	900	6-M36
MCE 1100	1100	1760	1080	1605	8-M36	940	8-M36
MCE 1200	1200	1920	1175	1750	8-M42	1025	8-M42
MCE 1300	1300	2080	1275	1900	8-M48	1100	8-M48
MCE 1400	1400	2240	1370	2040	8-M48	1195	8-M48
MCE 1600	1600	2560	1570	2335	8-M48	1365	8-M48
MCE 1800	1800	2880	1765	2625	10-M56	1540	10-M56
MCE 2000	2000	3200	1955	2920	10-M56	1710	10-M56

Dimensions in millimeters



Morse Super Cone Fenders - PERFORMANCE

		Fender Model										
		MCE300		MCE350		MCE400		MCE500		MCE550		
Rubber Compound	Energy	Reaction	Energy	Reaction	Energy	Reaction	Energy	Reaction	Energy	Reaction	Energy	Reaction
	Ft-Kips	Kips	kNM	kN	kNM	kN	kNM	kN	kNM	kN	kNM	kN
A1			kNM	104.00	23.10	140.00	34.60	184.00	67.70	290.00	90.00	349.00
A2			kNM	113.00	25.30	154.00	38.00	202.00	74.30	316.00	98.00	382.00
B1			kNM	82.00	18.50	110.00	27.70	146.00	54.00	228.00	72.00	275.00
B2			kNM	125.00	20.70	127.00	31.00	164.00	60.70	255.00	80.00	312.00
B3			kNM	137.00	22.80	139.00	34.00	180.00	66.10	280.00	89.00	346.00
C1			kNM	64.00	14.00	88.00	20.70	116.00	40.50	181.00	54.00	218.00
C2			kNM	74.00	16.20	99.00	24.10	130.00	47.20	204.00	63.10	247.00
C3			kNM	79.00	18.00	109.00	27.00	143.00	52.70	222.00	69.00	266.00
		Fender Model										
		MCE600		MCE700		MCE800		MCE900		MCE1000		
Rubber Compound	Energy	Reaction	Energy	Reaction	Energy	Reaction	Energy	Reaction	Energy	Reaction	Energy	Reaction
	kNM	kN	kNM	kN	kNM	kN	kNM	kN	kNM	kN	kNM	kN
A1			120.00	399.00	205.00	570.00	311.00	744.00	440.00	944.00	604.00	1163.00
A2			131.00	438.00	226.00	627.00	340.00	820.00	484.00	1040.00	666.00	1282.00
B1			90.00	314.00	165.00	450.00	245.00	592.00	345.00	744.00	475.00	920.00
B2			106.00	359.00	186.00	512.00	278.00	665.00	392.00	844.00	540.00	1042.00
B3			117.00	391.00	200.00	556.00	304.00	728.00	430.00	923.00	590.00	1140.00
C1			70.00	250.00	130.00	354.00	190.00	464.00	275.00	585.00	374.00	722.00
C2			80.00	282.00	149.00	406.00	218.00	527.00	310.00	664.00	425.00	822.00
C3			87.00	306.00	162.00	440.00	240.00	577.00	337.00	730.00	466.00	900.00
		Fender Model										
		MCE1050		MCE1100		MCE1200		MCE1300		MCE1400		
Rubber Compound	Energy	Reaction	Energy	Reaction	Energy	Reaction	Energy	Reaction	Energy	Reaction	Energy	Reaction
	kNM	KN	kNM	KN	kNM	KN	kNM	kN	kNM	kN	kNM	kN
A1			702.00	1287.00	806.00	1412.00	1045.00	1680.00	1330.00	1972.00	1660.00	2280.00
A2			771.00	1415.00	885.00	1550.00	1152.00	1850.00	1465.00	2170.00	1825.00	2510.00
B1			550.00	1015.00	635.00	1115.00	825.00	1325.00	2045.00	1556.00	1308.00	1806.00
B2			625.00	1151.00	720.00	1265.00	935.00	1502.00	1188.00	1765.00	1485.00	2040.00
B3			685.00	1259.00	789.00	1382.00	1023.00	1644.00	1302.00	1030.00	1624.00	2335.00
C1			435.00	799.00	501.00	876.00	650.00	1044.00	825.00	1225.00	1032.00	1420.00
C2			493.00	907.00	569.00	997.00	738.00	1186.00	935.00	1391.00	1165.00	1612.00
C3			539.00	995.00	622.00	1090.00	809.00	1298.00	1025.00	1530.00	1276.00	1765.00
		Fender Model										
		MCE1600		MCE1800		MCE2000						
Rubber Compound	Energy	Reaction	Energy	Reaction	Energy	Reaction						
	kNM	kN	kNM	kN	kNM	kN						
A1			2480.00	2982.00	3530.00	3777.00	4845.00	4665.00				
A2			2729.00	3279.00	3885.00	4155.00	5325.00	5125.00				
B1			1950.00	2356.00	2775.00	2980.00	3800.00	3680.00				
B2			2215.00	2670.00	3155.00	3379.00	4325.00	4202.00				
B3			2427.00	2920.00	3455.00	3696.00	4738.00	4570.00				
C1			1535.00	1858.00	2185.00	2350.00	3001.00	2902.00				
C2			1745.00	2101.00	2481.00	2666.00	3400.00	3292.00				
C3			1910.00	2307.00	2718.00	2920.00	3710.00	3600.00				

Energy and Reaction are at rated deflection (72%)

Values are for a single fender

Tolerance for Energy and Reaction +/-10%

The information in this document is a general description only, is not guaranteed and contains no warranties of any kind. Subject to change without notice.

Morse Rubber LLC

3588 Main Street
Keokuk, IA 52632 USA

Tel: 319 524 8430

Fax: 319 524 1311