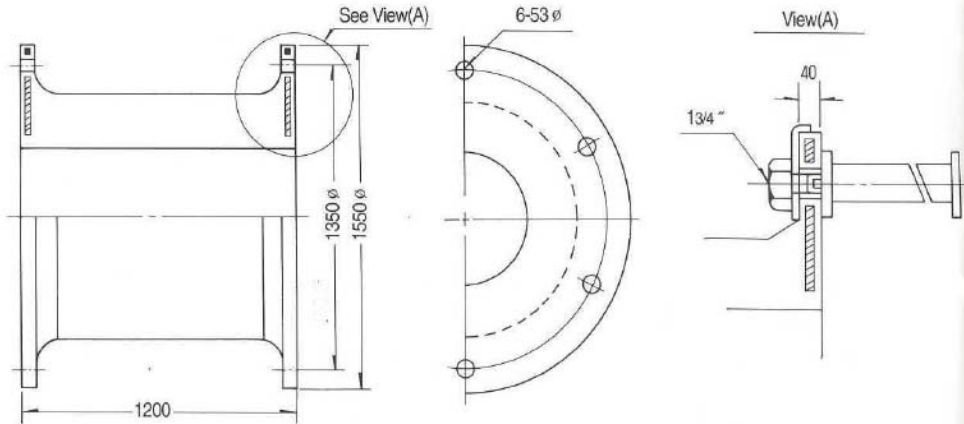
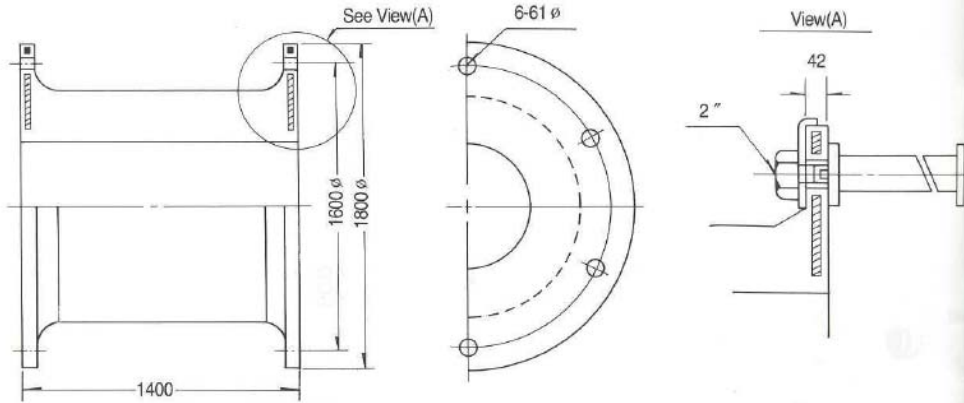
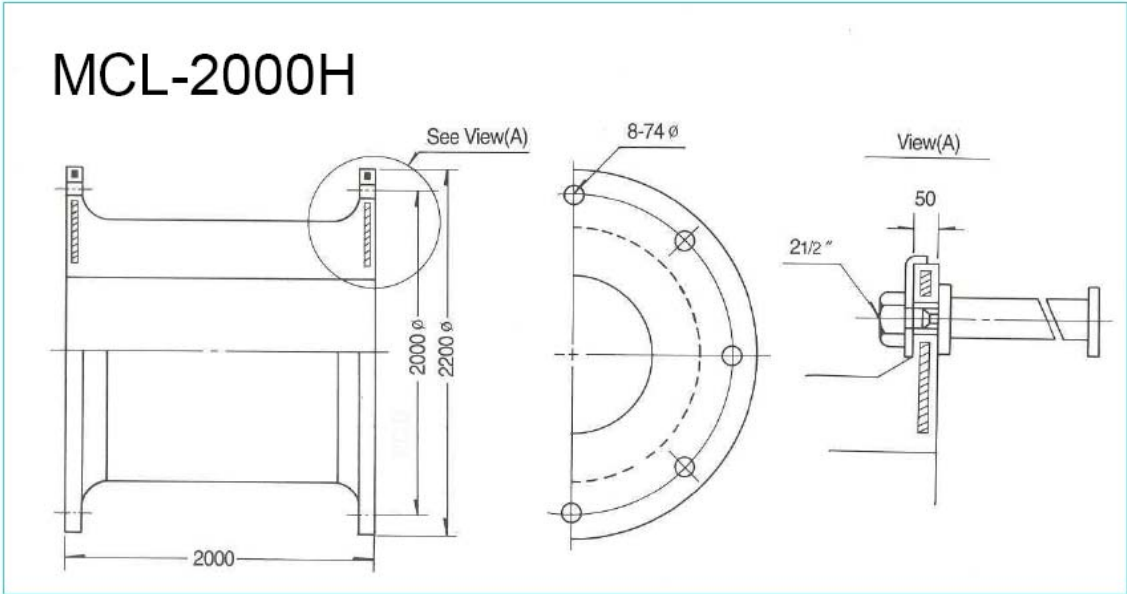
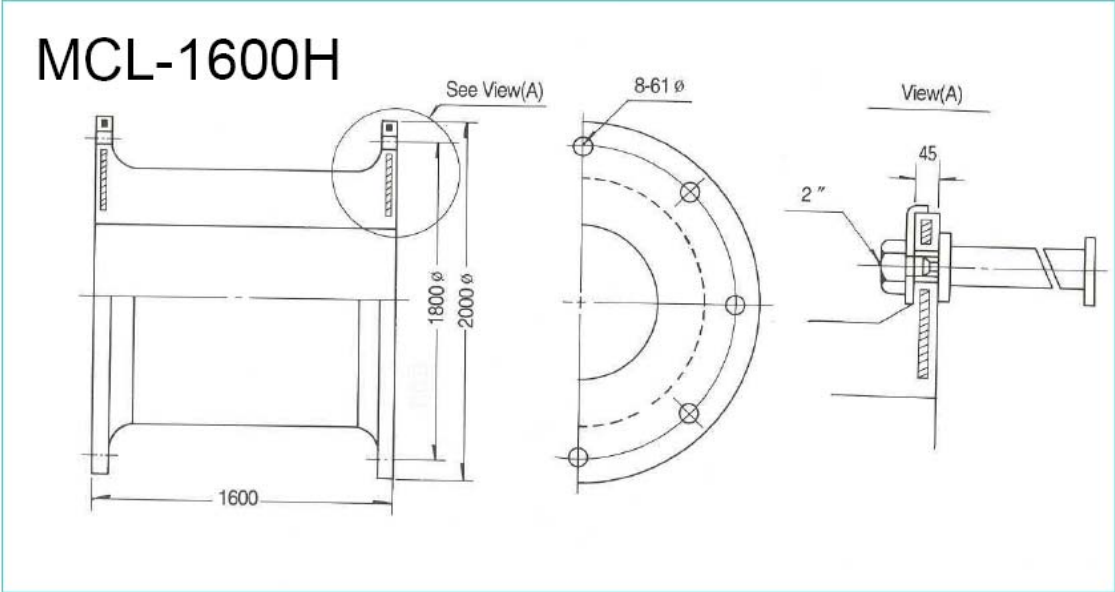


MCL-1200H

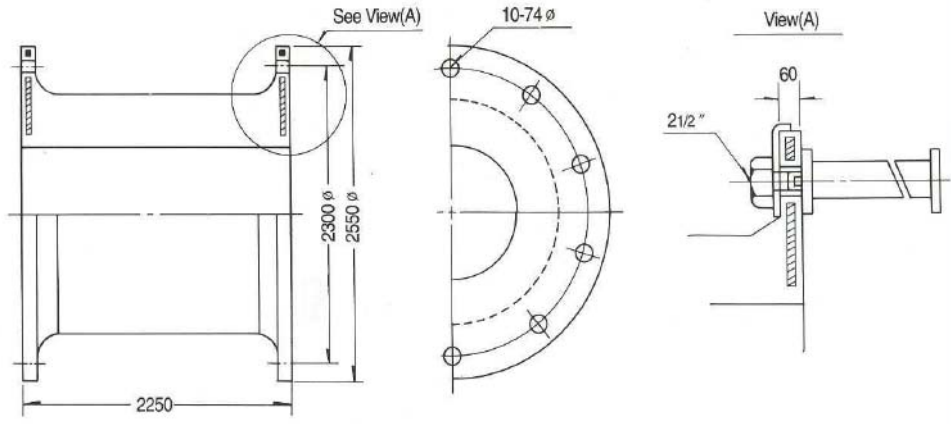


MCL-1400H

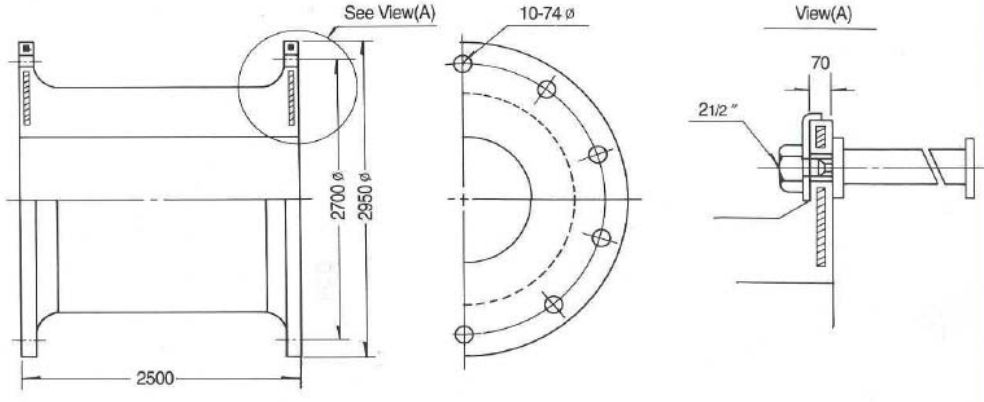




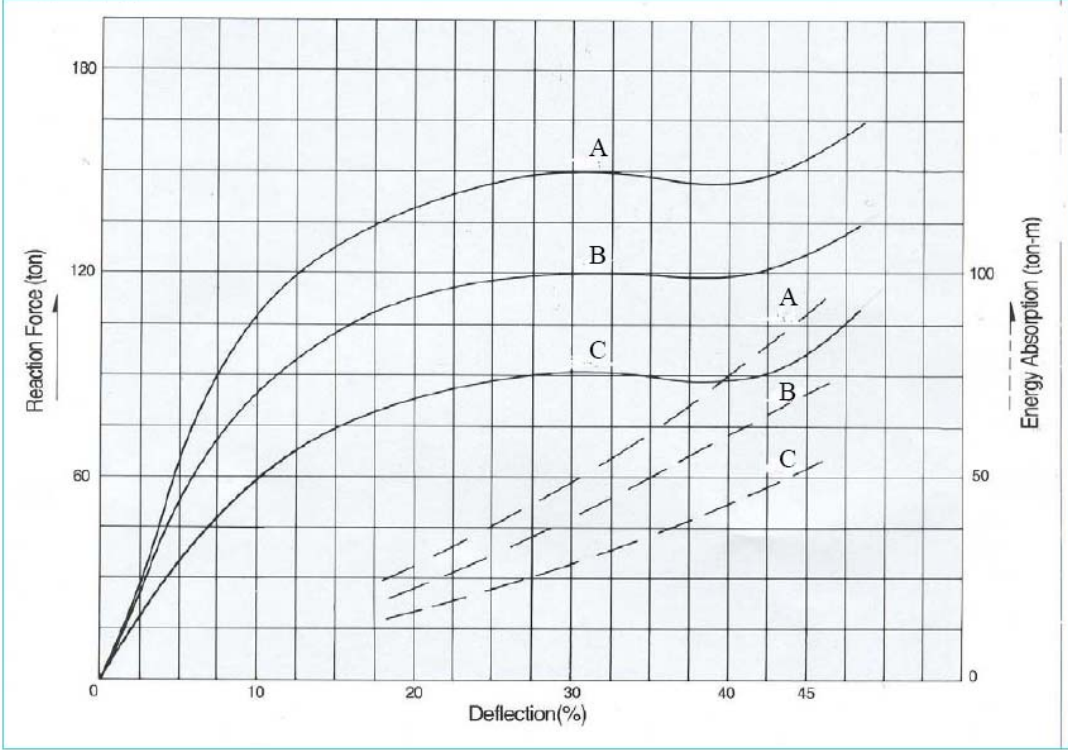
MCL-2250H



MCL-2500H



Morse Rubber



Per one piece and at 45% deflection

Rubber Grade		A		B		C	
Performance	R.F (ton)	E.A (ton-m)	R.F (ton)	E.A (ton-m)	R.F (ton)	E.A (ton-m)	
Size	CF-500H	15	2.7	12.2	2.1	9.5	1.6
	CF-650H	25	6	20	4.7	16	3.5
	CF-800H	38	11	31	8.7	24	6.5
	CF-1000H	59	21	48	17	37	12.7
	CF-1200H	85	37	70	29	54	22
	CF-1400H	116	59	95	47	73	35
	CF-1600H	152	88	124	70	96	52
	CF-2000H	237	172	192	135	148	101
	CF-2250H	300	245	243	192	186	144
	CF-2500H	371	335	302	265	234	198

Morse Rubber LLC 3588 Main St. Keokuk, IA 52632
 T: 319 524 8430 F: 319 524 7290 info@morserrubber.com